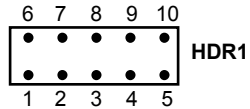
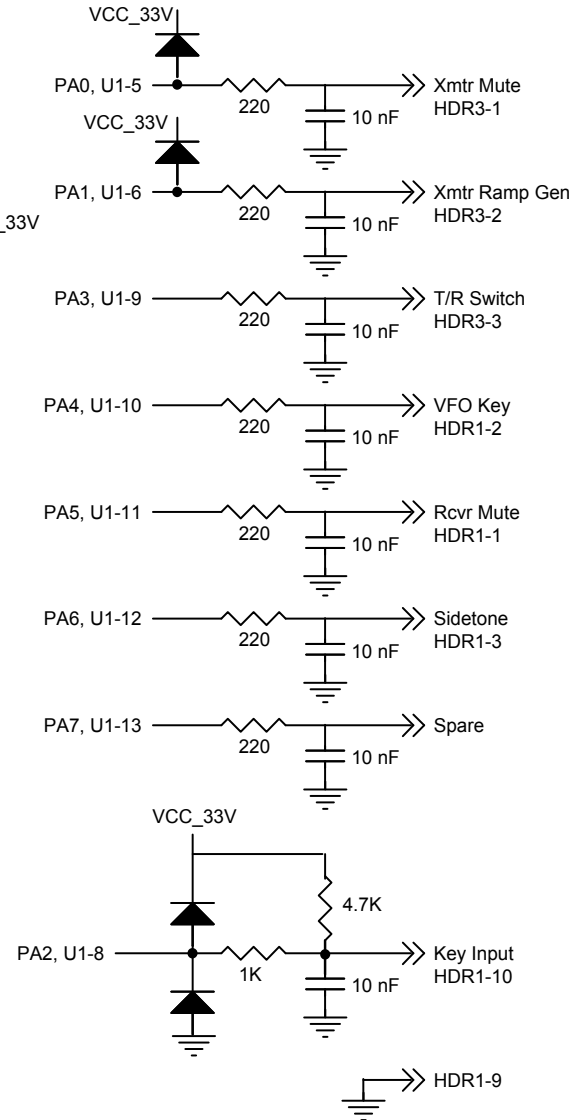
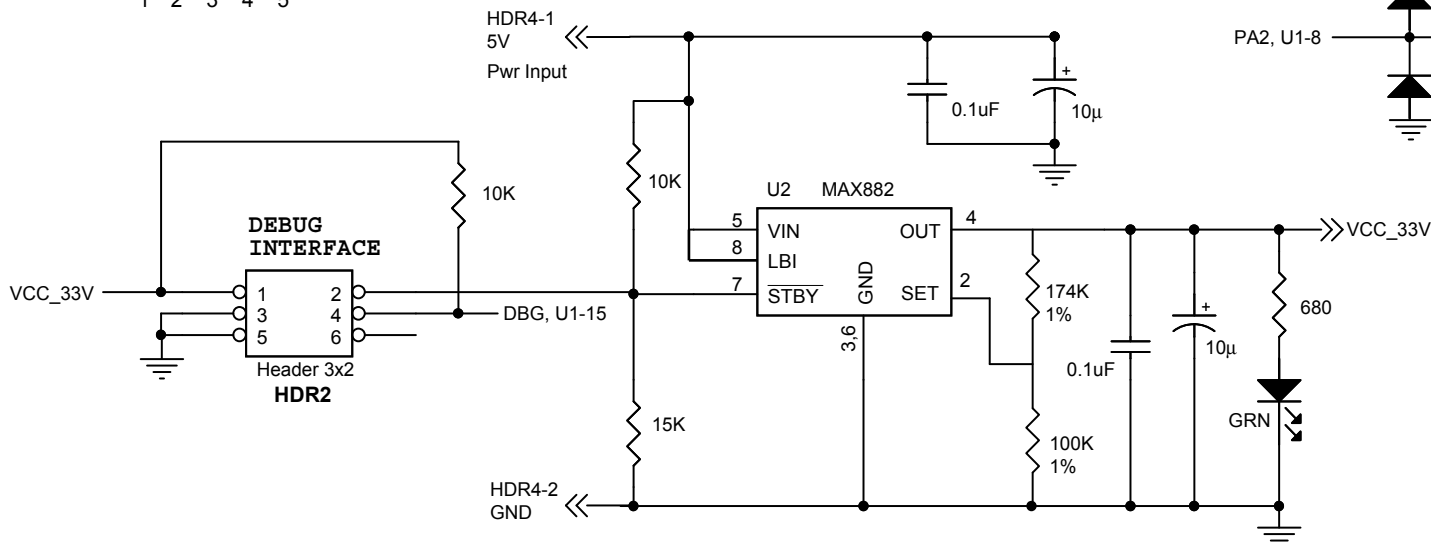
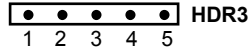


Top view, 10-pin header to DB-9 (rcvr I/O)



Top view, 5-pin header (xmtr I/O)



T/R Switching Sequencer
WB9JPS 10-12-07