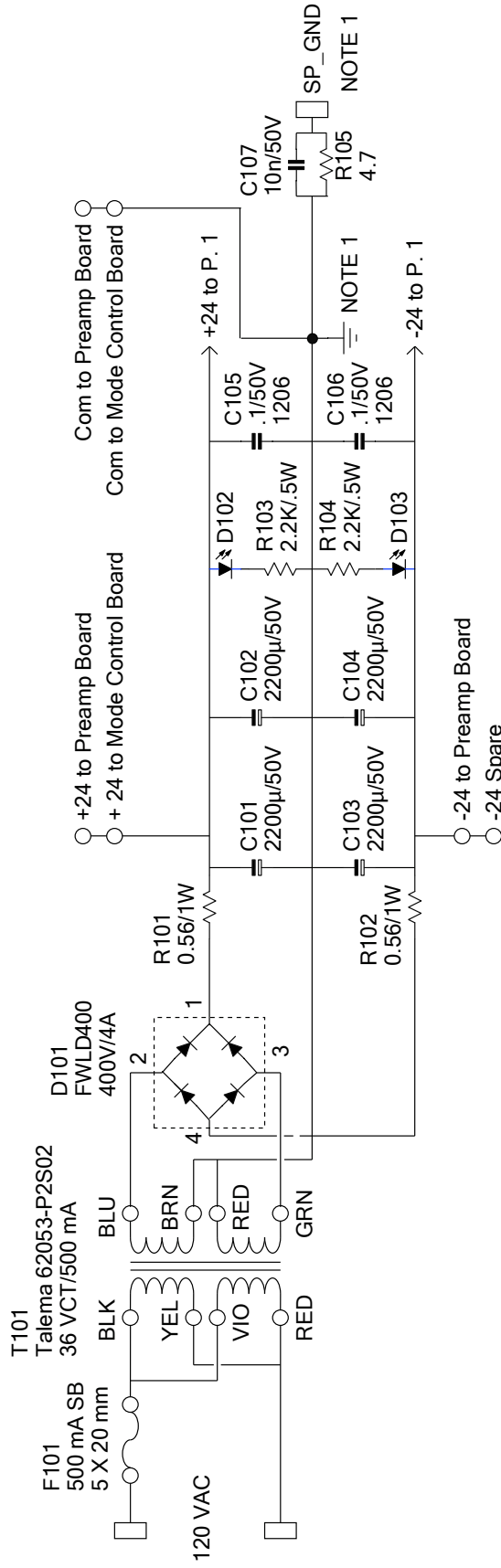


WB9JPS Integrated Amplifier
Headphone Amplifier and
Preamp Power Supply Board
GWJ 7-3-11 Page 1 of 2



NOTES

1. To chassis single-point ground.

Typical Output Spec

- No Load: ± 26 V
- 200 mA: ± 21 V
- 400 mA: ± 19 V