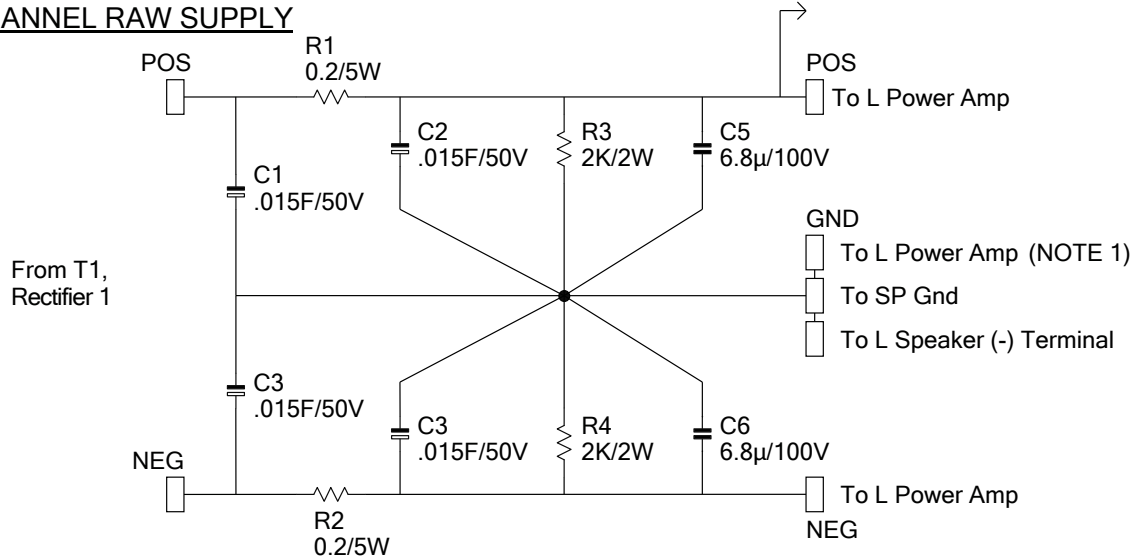
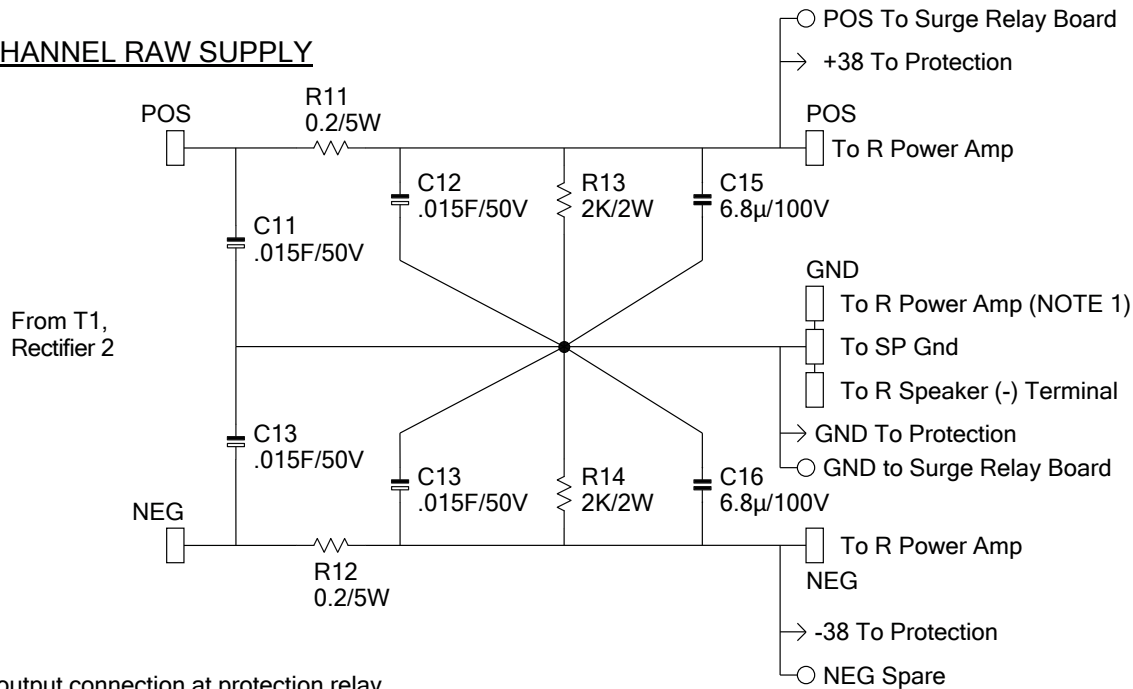


LEFT CHANNEL RAW SUPPLY



RIGHT CHANNEL RAW SUPPLY



NOTES:

1. Near PA output connection at protection relay.
2. Typical output: No-load ±39 V. 2.1 A per output ±35 V.

